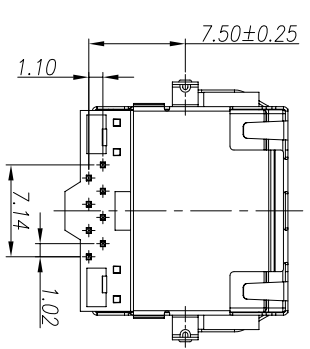
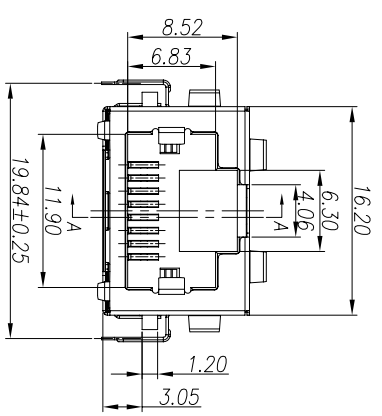
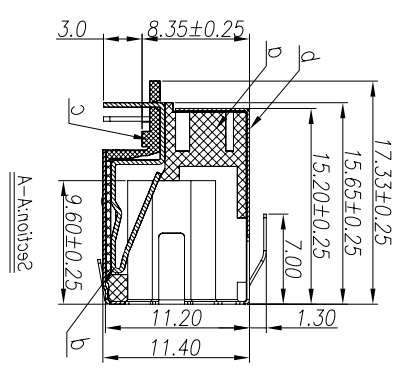
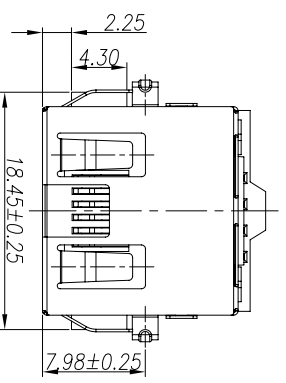


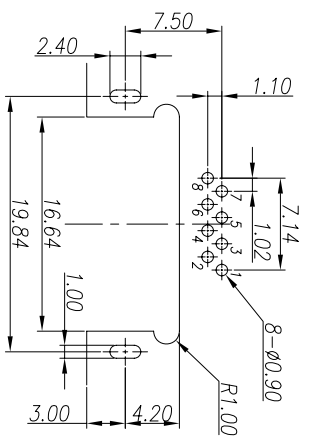
CATEGORY	DESCRIPTION	P/N #
CONNECTOR	Modular Jack, 8P8C, R/A	MJ88-BX11-RVS1

REV.	ECN NO.
A01	

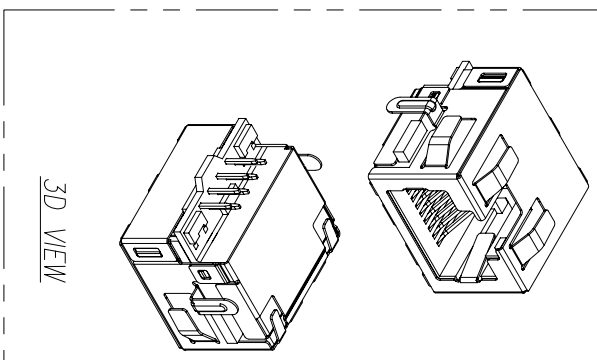
DESCRIPTION	REVISED	DATE
New Release	XSY	2013.08.08



- Specifications:
1. Rated Current: 1.5A
 2. Contact resistance: 40mΩ MAX.
 3. Insulation resistance: 500MΩ MIN.
 4. Dielectric withstand: 500V AC for 1 minute
 5. Operating temperature: -40°C~+80°C
 6. Insertion/Extraction life: 750 Cycles



RECOMMENDED PCB LAYOUT (TOP VIEW)
(ALL TOLERANCES ARE ±0.05)



3D VIEW


Part No.: MJ88-BX11-RVS1

Table 1

X	Terminal Plating
0	Au 1u" Plating
1	Au 3u" Plating
2	Au 6u" Plating
3	Au 15u" Plating
4	Au 30u" Plating
5	Au 50u" Plating

d	Terminal	8	PHOSPHOR BRONZE T=0.35mm	See Table 1
c	Cover	1	LCP GF30% UL94V-0	Black
b	Shell	1	BRASS T=0.20mm	NI Plating
a	Housing	1	LCP GF30% UL94V-0	Black
NO.	PART NAME	QTY	MATERIAL	PLATING & COLOR
		4		

UNLESS OTHERWISE SPECIFIED TOLERANCES		DECIMALS:		ANGLES:	
X	:±0.5	X	:±2°	X	:±1°
XX	:±0.3				
XXX	:±0.2				
Remark					


东莞市合陵电子有限公司
Dongguan Heling Electronic Co., LTD
 Connector
 SCALE: 1/1 UNIT: mm
 SIZE: A4 PAGE: 10F1 REV: A01
 APPROVED BY: XSY CHECKED BY: XSY PREPARED BY: XSY
 DWG. NO.: W-061-108
CUSTOMER COPY